



IVT.12.S400 Inverted Biological

Same Objective for Both Bright Field & Phase Contrast Observation, Not Necessary to Change Different Objective

- Same Objective for Both Bright Field & Phase Contrast Observation
- New research and new development
- Apply to observation and cultivation for cell tissue
- 4X/10X/20X/40X Objective for Both Bright Field & Phase Contrast



IVT.12.S400 Inverted Biological Microscope



Long working distance condenser N.A. 0.30, Working distance: 72mm
Working distance: 195mm (without condenser), available for extra high culture dish
Large size stage, convenient for research. Size: 240mm (X) × 210 (Y) mm
Mechanical stage available for 96 holes plate. Moving range: 128mm (X) × 80 (Y) mm



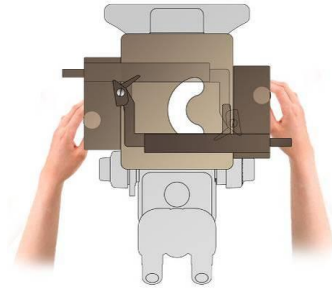
IVT.12.S400 Inverted Fluorescence Microscope



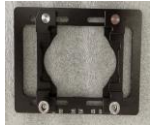
Large diameter quintuple nosepiece can be installed more objectives, more convenient for using.
 Light distribution (both): 100 : 0 (100% for eyepiece);

80 : 20 (80% for trinocular head and 20% for eyepiece)

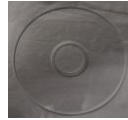
Culture Dish Holder



Knob can be changed by left or right



Universal Holder



Glass Holder

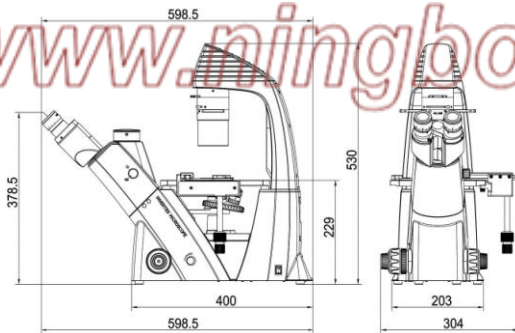
Objective Parameter List (Cover-glass thickness 1.1mm)

	Objectives	N.A.	Working distance(mm)
LWD Infinity Plan Objectives	L Plan FL 4X	0.11	12.1
	L Plan FL 10X	0.25	10.3
	L Plan FL 20X	0.45	5.8
	L Plan FL 40X	0.65	5.1
LWD Infinity Plan Phase Contrast Objectives	L Plan FL PHP 4X (Both for Bright Field & Phase Contrast)	0.10	9.2
	L Plan FL PHP 10X (Both for Bright Field & Phase Contrast)	0.25	10.3
	L Plan FL PHP 20X (Both for Bright Field & Phase Contrast)	0.45	5.8
	L Plan FL PHP 40X (Both for Bright Field & Phase Contrast)	0.65	5.1

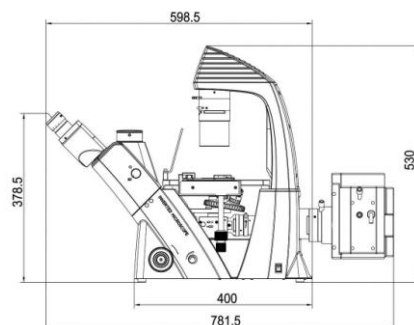


IVT.12.S400 Inverted Biological Microscope Size(mm)

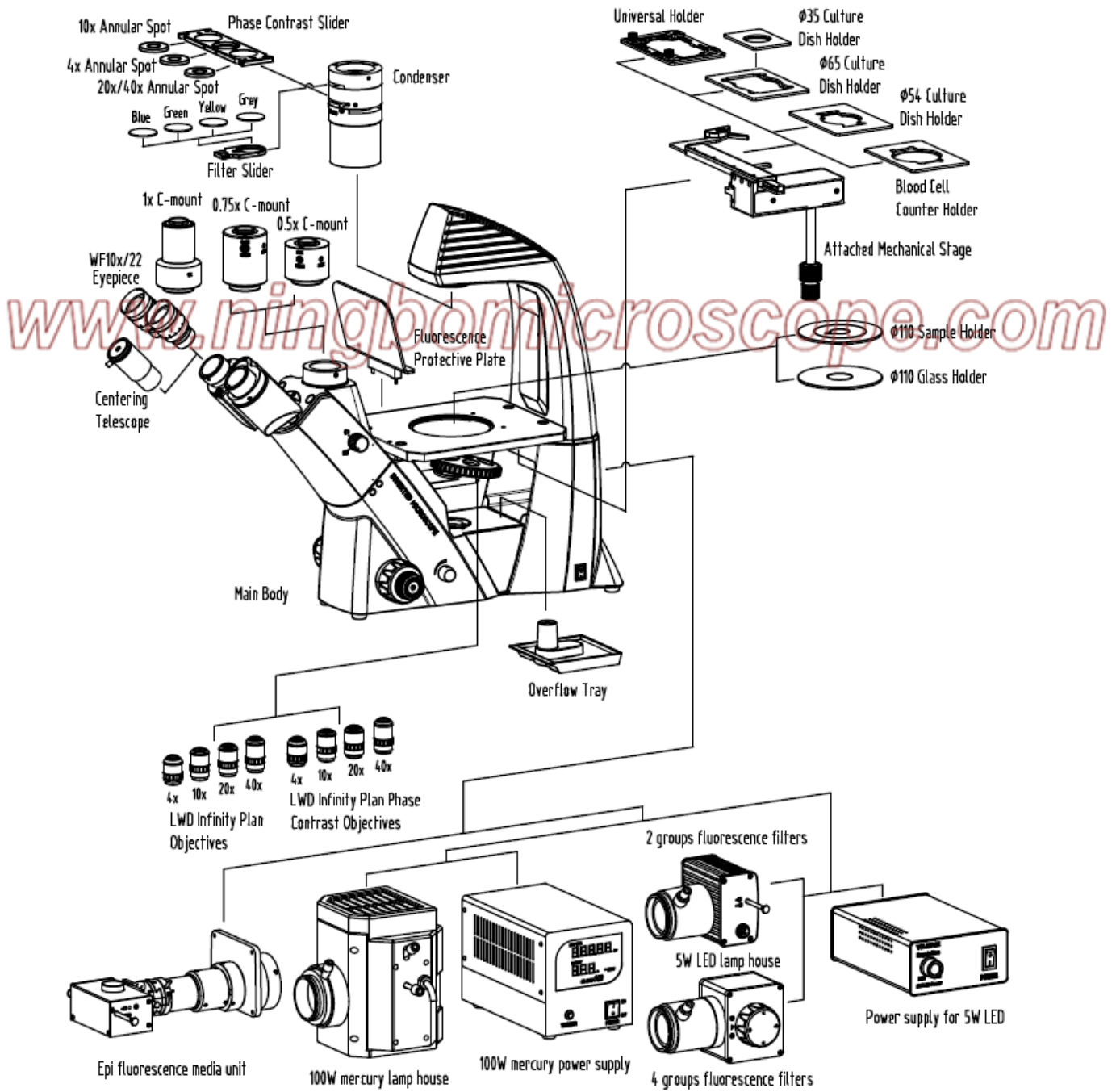
www.ningbomicroscope.com



IVT.12.S400 Inverted Fluorescence Microscope Size(mm)



IVT.12.S400 Inverted Biological Microscope General Layout Diagram



IVT.12.S400 Inverted Biological Microscope Outfits

Item	Specification	Outfits
Eyepiece	WF10× / 22mm	●●
LWD Infinity Plan Objectives	L Plan FL 4X / 0.11	W.D.=12.1mm ○
	L Plan FL 10X / 0.25	W.D.=10.3mm ○
	L Plan FL 20X / 0.45	W.D.=5.8mm ○
	L Plan FL 40X / 0.65	W.D.=5.1mm ○
LWD Infinity Plan Phase Contrast Objectives	L Plan FL PHP 4X / 0.10 (Both for Bright Field & Phase Contrast)	W.D.=9.2mm ○
	L Plan FL PHP 10X / 0.25 (Both for Bright Field & Phase Contrast)	W.D.=10.3mm ●
	L Plan FL PHP 20X / 0.45 (Both for Bright Field & Phase Contrast)	W.D.=5.8mm ●
	L Plan FL PHP 40X / 0.65 (Both for Bright Field & Phase Contrast)	W.D.=5.1mm ●
Annular Spot	10×/20×/ 40×	●
	4×	○
Seidentopf Trinocular Head	Inclined 45°, interpupillary distance: 48-76mm Light distribution (both): 100: 0 (100% for eyepiece) -----Optional 80:20 (80% for trinocular head, and 20% for eyepiece)---in Standard offer	●
Seidentopf Trinocular Head	Inclined 45°, interpupillary distance: 48-76mm Light distribution (both): 100: 0 and 0:100 (100% for eyepiece or 100% for trinocular head)	○
Nosepiece	Quintuple	●
Mechanical Stage	Stage size: X×Y: 210×241mm, Round slide size: Φ110mm, Attached mechanical stage (available for 96 holes plate, moving range X×Y: 128×80mm.)	●
	65mm	○
Culture Dish Holder	54mm	●
	35mm	○
	blood cell counter	○
	Glass Holder	○
Condenser	Universal Holder	○
	Long working distance, Quickly detachable , N.A.0.3, Working distance: 72mm (with condenser),195mm(without condenser).	●
Koehler Illumination	6V/30W (input voltage: 100V~240V)	●
	5WLED (input voltage: 100V~240V)	○
Filter	Blue	●
	Green	●
	Amber /Grey	○
C-mount	1 X /0.5X /0.75X C-Mount (focus adjustable)	○
Epi Fluorescence Illumination	Epi fluorescence media unit , field diaphragm, center adjustable.	○
	100W mercury lamp ,5WLED(input voltage:100V~240V)	○
	B, G, V, UV fluorescence filters can be chosen	○
Infinity Fluorescence objective	L Plan Fluor 10X/0.3 W.D.=10mm	○
	L Plan Fluor 20X/0.45 W.D.=6.6mm	○
	L Plan Fluor 40X/0.6 W.D.=3.5mm	○

Note: "●"In Table Is Standard outfits, "○" Is Optional Accessories.

Packing Size: 660mm×590mm×325mm

Gross Weight: 18 kgs

Net Weight: 13.5 kgs